

4

3

2

1

THIS DRAWING IS UNPUBLISHED.  
DIFFUSION RESTREINTE

RELEASED FOR PUBLICATION  
LIBRE A LA DIFFUSION

2011

© COPYRIGHT 2011

by Tyco Electronics Corporation

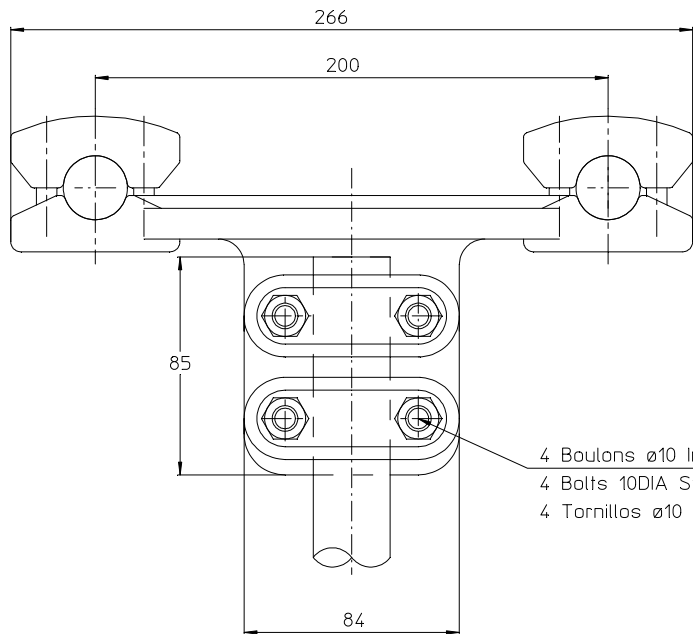
ALL RIGHTS RESERVED.  
TOUS DROITS RESERVES

LOC -

DIST -

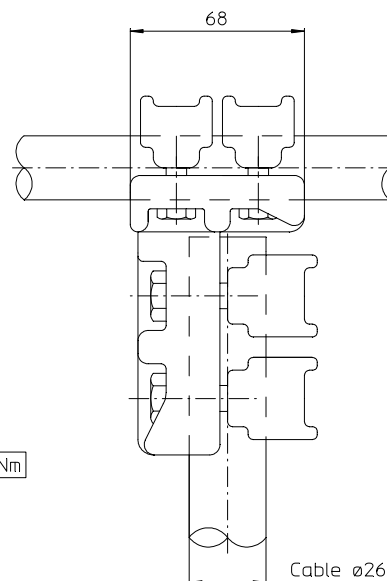
REVISIONS

P	LTR REV	DESCRIPTION MODIFICATIONS	DATE	DWN DESS	APVD APPR
A		CREATION	11-Dec-92	AC	-
B		UPDATED DRAWING	29-Nov-12	BH	-

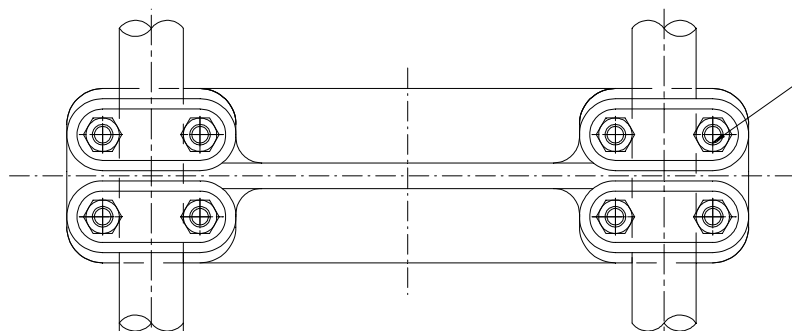


- 4 Boulons ø10 Inox A2
- 4 Bolts 10DIA Stainless steel A2
- 4 Tornillos ø10 Acero inoxidable A2

37 Nm



Cable ø26 à 30.99  
 Cable 26DIA to 30.99  
 Cable ø26 a 30.99



- 8 Boulons ø8 Inox A2
- 8 Bolts 8DIA Stainless steel A2
- 8 Tornillos ø8 Acero inoxidable A2

20 Nm

Cable ø21 à 25.99  
 Cable 21DIA to 25.99  
 Cable ø21 a 25.99

THIS DRAWING IS A CONTROLLED DOCUMENT. <small>LE PLAN EST UN DOCUMENT CONTROLÉ PAR TYCO ELECTRONICS CORPORATION IL EST SUSCEPTIBLE D'ÊTRE REVISÉ POUR OBTENIR LA DERNIÈRE RÉVISION CONTACTER LE SERVICE TECHNIQUE DE TYCO ELECTRONICS SNE, SAS 4220 LEVREY-CHAMBERTIN, FRANCE</small>		DWN /DESSINE ANDRE	11-Dec-92	<b>STE</b> <i>TE connectivity</i> <b>SIMEL PRODUCTS</b>	
DIMENSIONS: mm		CHK/VERIFIE -	APVD/APPROUVE -		
TOLERANCES UNLESS OTHERWISE SPECIFIED PER TOLERANCES NON SPECIFIEES SELON :-		PRODUCT SPEC SPEC. PRODUCT 02BFC0031	APPLICATION SPEC SPEC. APPLICATION -	SIZE FORMAT A3	CAGE CODE 00779
MATERIAL MATIERE -	FINISH FINITION -	WEIGHT MASSE APPROX. 1.83 kg	DRAWING NO No PLAN ©=712176	RESTRICTED TO RESERVE A -	
CUSTOMER DRAWING /PLAN CLIENT		UNIQUEMENT POUR REFERENCE	SCALE ECHELLE 1/2	SHEET FEUILLE 1	OF DE 1
				REV B	

ITEM: .....